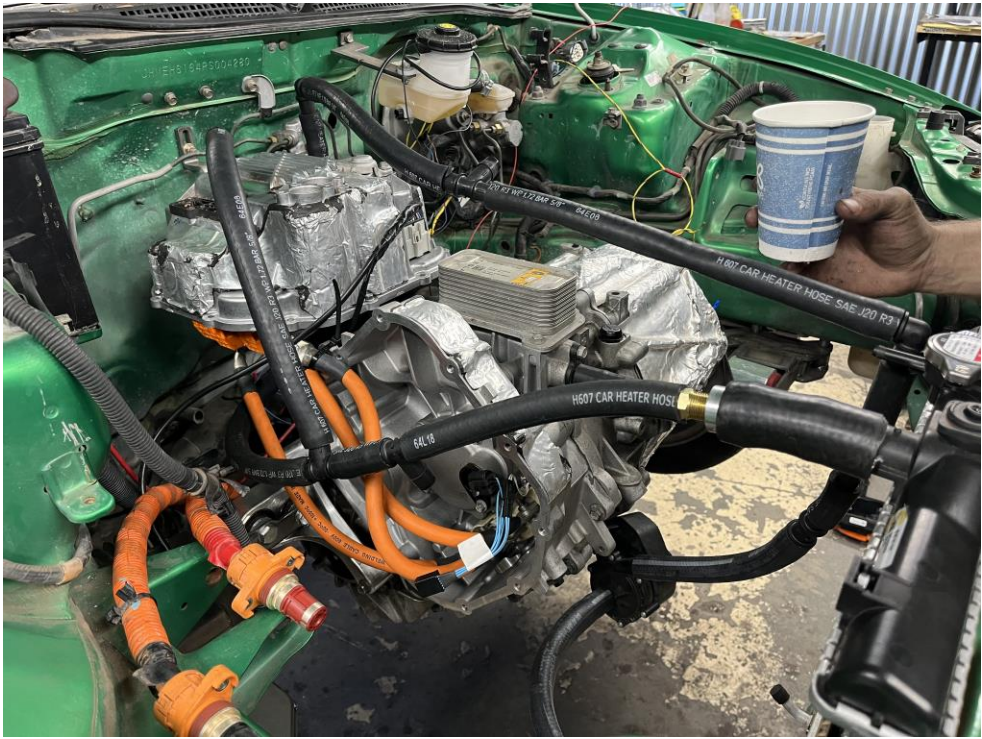
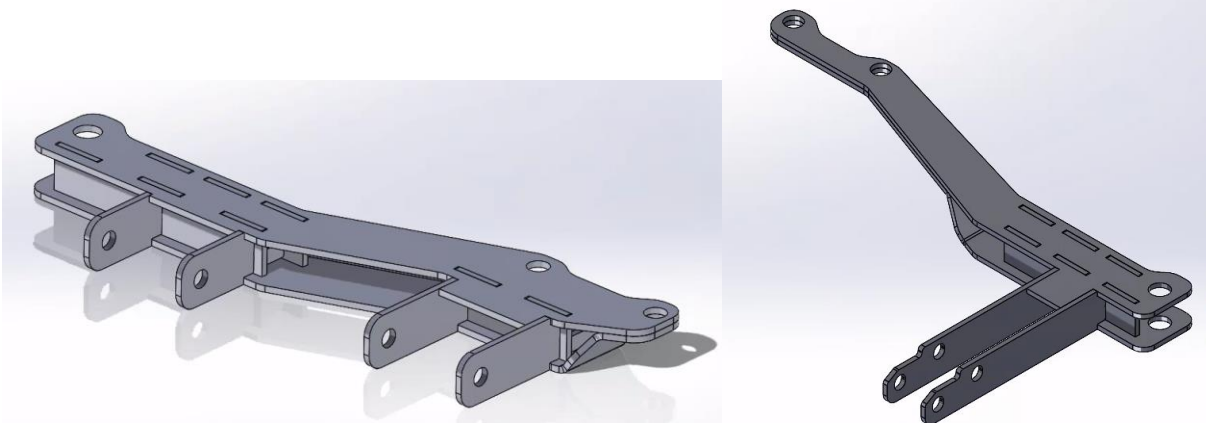
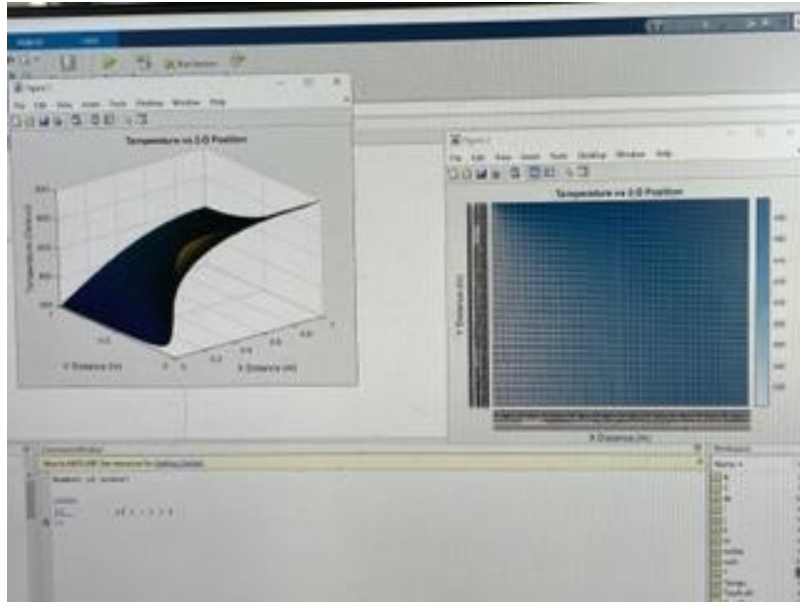


Senior Capstone Project:



ME450 (Heat Transfer) conduction coding project:



ME554 (Finite Element Analysis) ANSYS Heat Transfer Project:

